

## INCASSI\_BUILT-IN PARTS

R99499

Parte incasso. / Built-in part.



Parte incasso per miscelatore doccia.

Built-in part for shower mixer.

### Finiture / Finishes



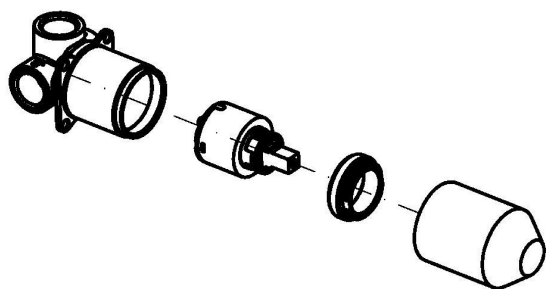
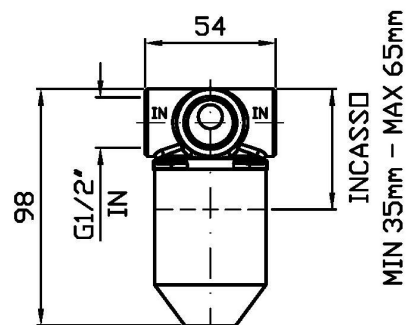
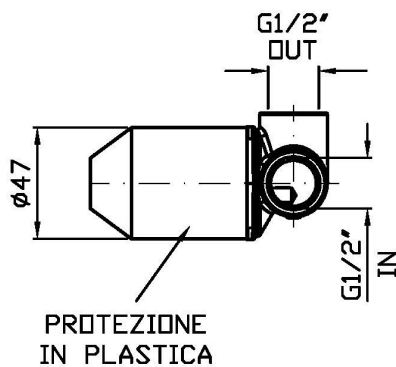
Cromo / Chrome

## INCASSI\_BUILT-IN PARTS

R99499

Disegno Complessivo / Overall Drawing

FORD MINIMO SUGGERITO  
SUL RIVESTIMENTO:  
Ø50mm



## INCASSI\_BUILT-IN PARTS

R99499 Certificazioni / Certifications

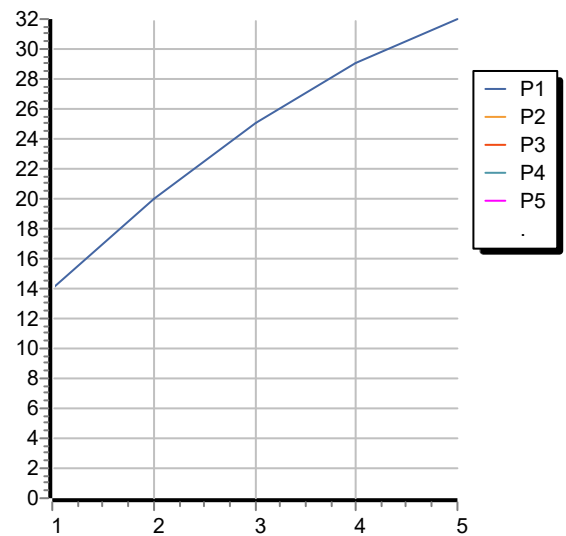
CINA\_HONG\_KONK CINA\_HONG\_KONK

NUTEK SYSTEMS, WSD

## INCASSI\_BUILT-IN PARTS

R99499 Portate / Flowrates (lt/min)

PRESSIONE PRESSURE	1 BAR	2 BAR	3 BAR	4 BAR	5 BAR
USCITA PRIMARIA PRIMARY OUTLET P1	14	20	25	29	32
P2					
P3					
P4					
P5					



## INCASSI\_BUILT-IN PARTS

R99499 Pesì e Misure / Weights and Sizes

Peso ( Kg ) Weight ( lb )	0,66 ( Kg )	1,46 ( lb )
Volume test ( dc3 ) - ( in3 )	0,38 ( dc3 )	23,19 ( in3 )
h ( mm ) - ( in )	60,00 ( mm )	2,36 ( in )
L1 ( mm ) - ( in )	57,00 ( mm )	2,24 ( in )
L2 ( mm ) - ( in )	110,00 ( mm )	4,33 ( in )

