

Pure Freude
an Wasser



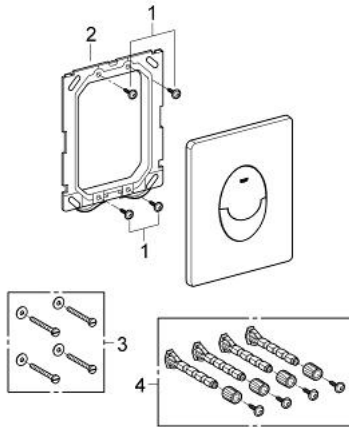
38 505 000 **SKATE AIR FLUSH PLATE**



PRODUCT DESCRIPTION

- for dual flush or start & stop actuation
- for pneumatic discharge valve AV1
- vertical installation
- 156 x 197 mm
- made of ABS
- **GROHE StarLight** chrome finish
- **GROHE EcoJoy** technology for less water and perfect flow

38 505 000 **SKATE AIR FLUSH PLATE**



SPARE PARTS

1: Screw (Order-nr. 6636200M)

2: Mounting frame (Order-nr. 43207000)

3: Fixing set (Order-nr. 4308500M)*

4: Fixing set (Order-nr. 4215800M)*

* Optional accessories